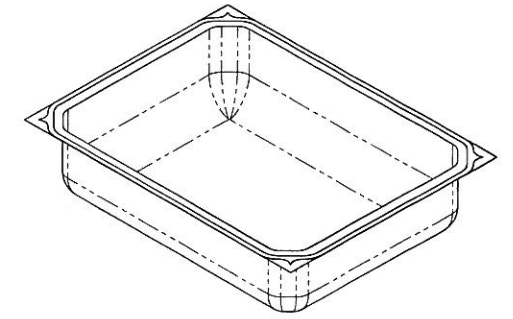
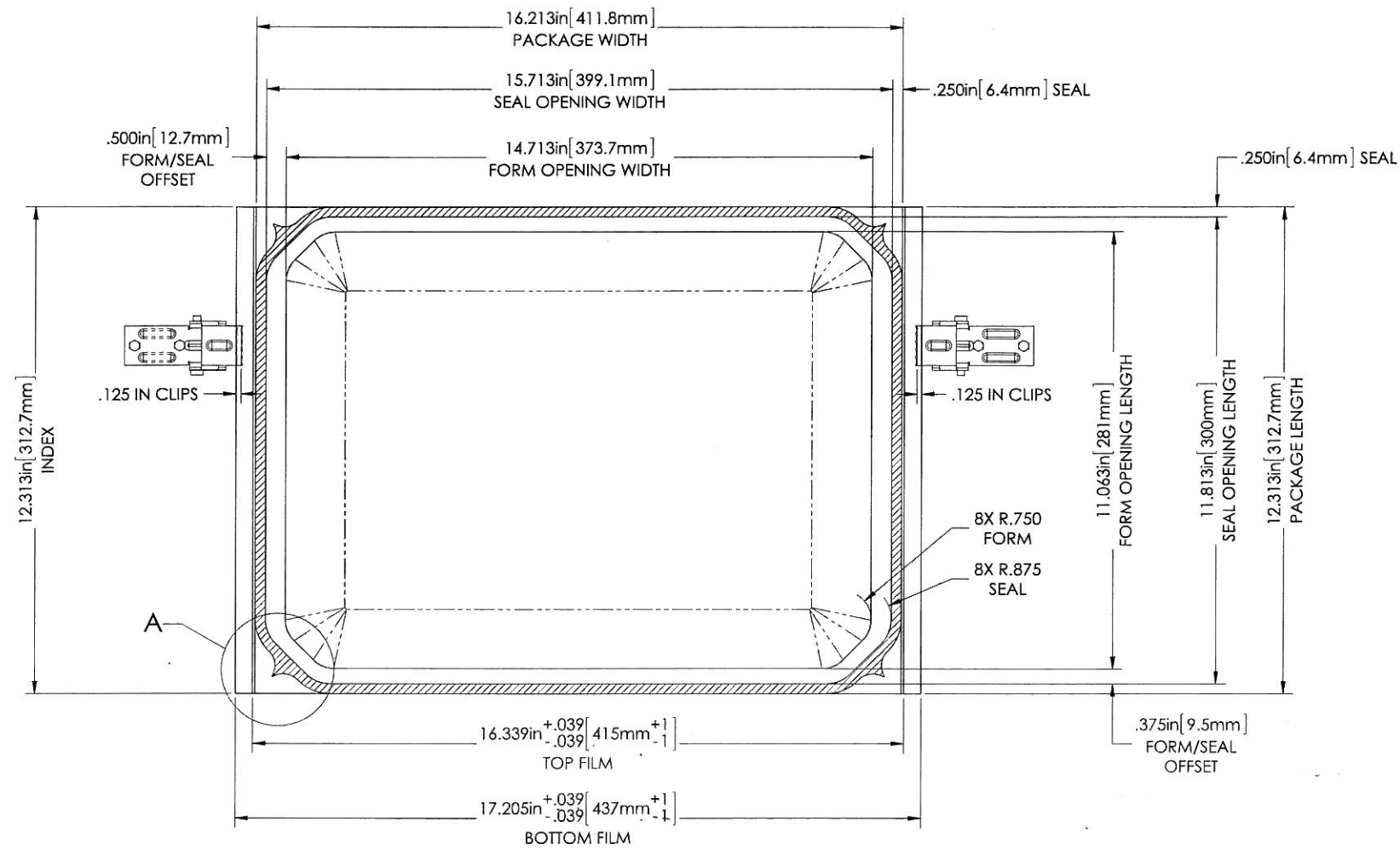
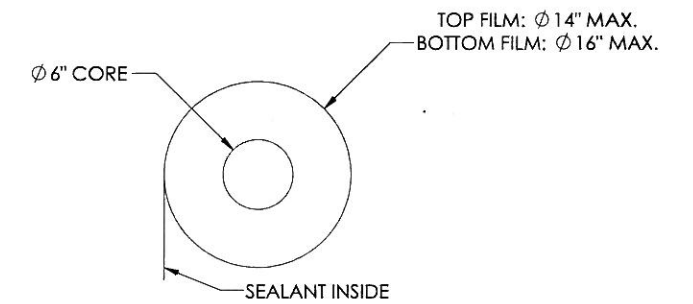
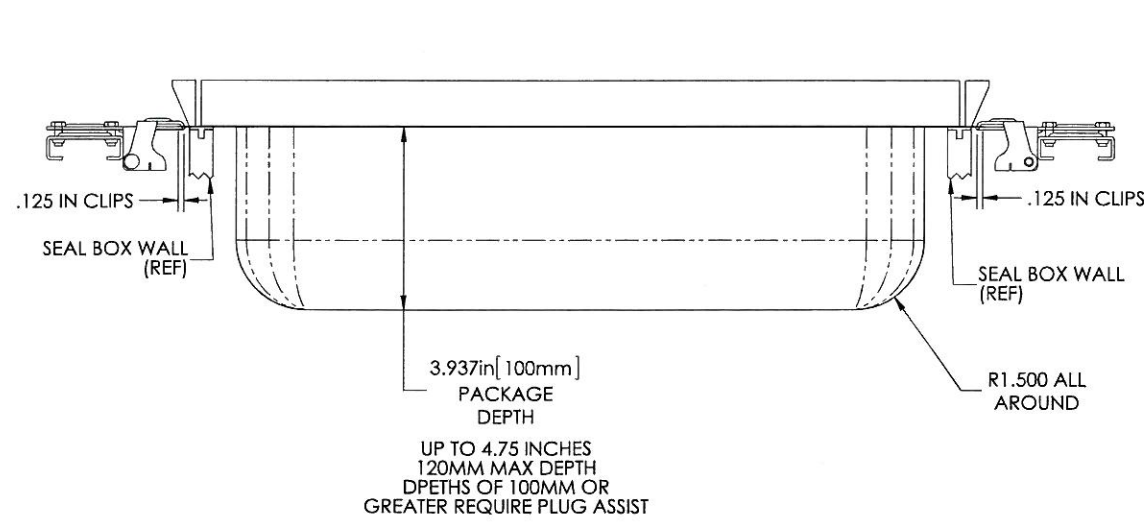
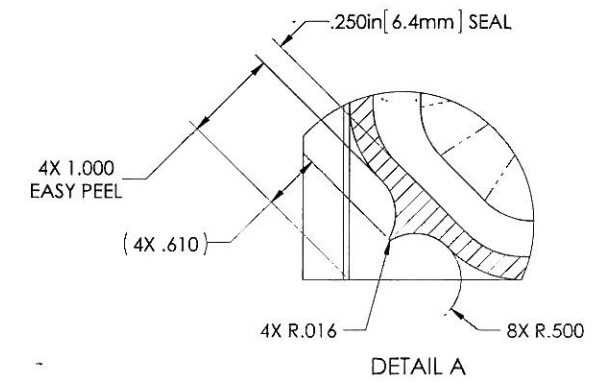


ISSUED



MACHINE DIRECTION ↑



CUSTOMER APPROVAL *[Signature]*
 DATE 11/14/14

TOLERANCES UNLESS OTHERWISE SPECIFIED		MATERIAL		DATE	
ANGLES	DIMENSIONALS	NAME	DATE		
MACHINED	± .124	JAK	11/14/2014		
SHEET METAL	± .12	JAK	11/14/2014		
GEOMETRIC TOLERANCING PER ANSI		ENG APPR	RG	11/14/2014	

<p>CP PACKAGING From Concept To Production</p>		
TITLE: PACKAGE 12.3125" INDEX 1x1 VACUUM		
SIZE	DWG. NO.	REV.
D	M-15434	-
DO NOT SCALE DRAWING		SHEET 1 OF 1

CREATED FROM: M-05434

M-15434